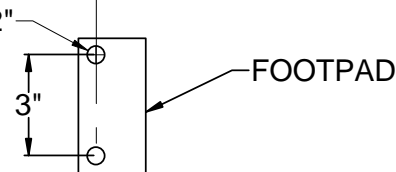
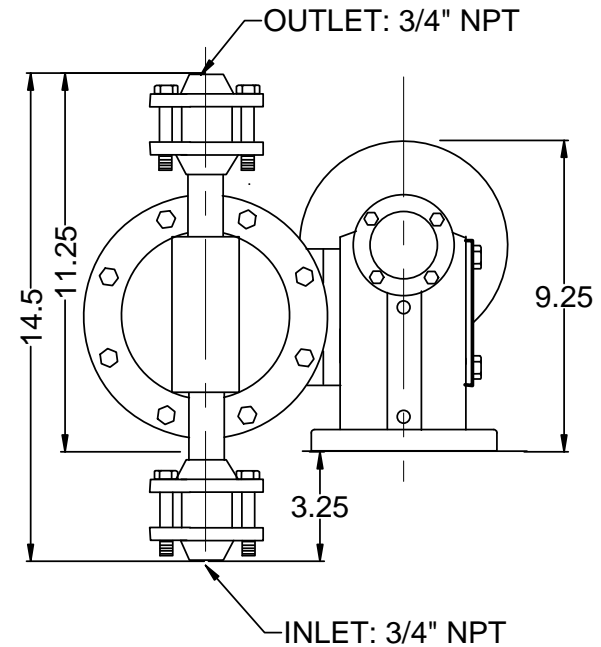


MH SERIES PUMPS
 CONSTRUCTION:
 A. SOLUTION HEAD AND VALVE CAPS: TBD
 B. PIPING CONNECTIONS: 3/4" NPTF
 C. PAINT FINISH: TBD
 D. DIAPHRAGM: TBD
 E. VALVE BALLS AND SEATS: TBD
 F. TYPE DDB DOUBLE DIAPHRAGM: OPTIONAL
 G. MOTOR: () HP, 3/60/230-460, 1,725 RPM,
 56 FRAME, TEFC ENCLOSURE STANDARD
 OTHER VOLTAGE AND ENCLOSURES OPTIONAL



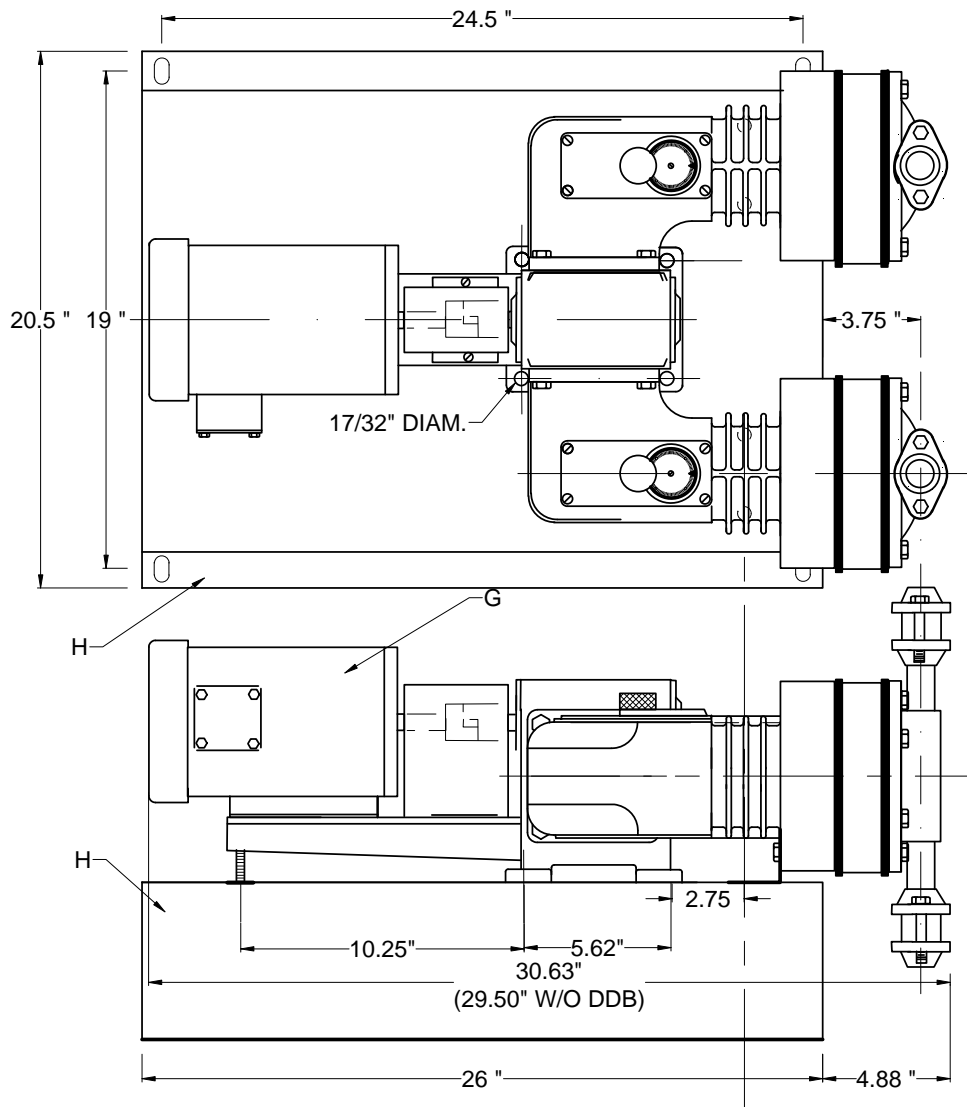
MH SERIES SIMPLEX MODELS:
 MH196D 9-96 GPH
 MH1125E 12-125 GPH
 MH1150F 15-150 GPH
 MH1180F 18-180 GPH

MADDEN MANUFACTURING, INC.
 ELKHART, IN

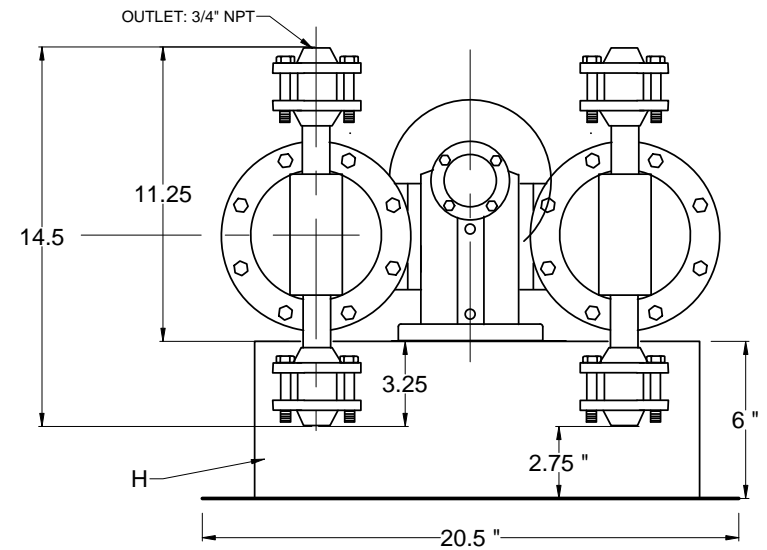
DIAPHRAGM METERING PUMP
 MH SERIES
 SIMPLEX LAYOUT

DATE: 1-29-08
 REV. NO. 0

MH PUMP



- MH SERIES PUMP CONSTRUCTION**
- A. SOLUTION HEAD AND VALVE CAPS: TBD
 - B. PIPING CONNECTIONS: 3/4" NPTF
 - C. PAINT FINISH: ACRYLIC ENAMEL, BLUE
(OPTIONAL EPOXY PRIMER/POLYURETHANE TOP COAT)
 - D. DIAPHRAGM: TBD
 - E. VALVE BALLS: TBD
 - F. TYPE DDB DOUBLE DIAPHRAGM: SHOWN,
OPTIONAL CONSTRUCTION
 - G. MOTOR: __ HP, 3/60/230-460, TEFC, 1725 RPM
(OPTIONAL VOLTAGE AND ENCLOSURES)
 - H. SHOWN WITH OPTIONAL STEEL BASE PLATE



MH SERIES DUPLEX MODELS
 MH296D 9.6-192 GPH
 MH2125E 12-250 GPH
 MH2150F 15-300 GPH
 MH2180F 18-360 GPH

MADDEN MANUFACTURING, INC.
 ELKHART, IN

DIAPHRAGM METERING PUMP
 DUPLEX CONSTRUCTION

DATE: 1-29-08
 REV. NO. 0

MH SERIES