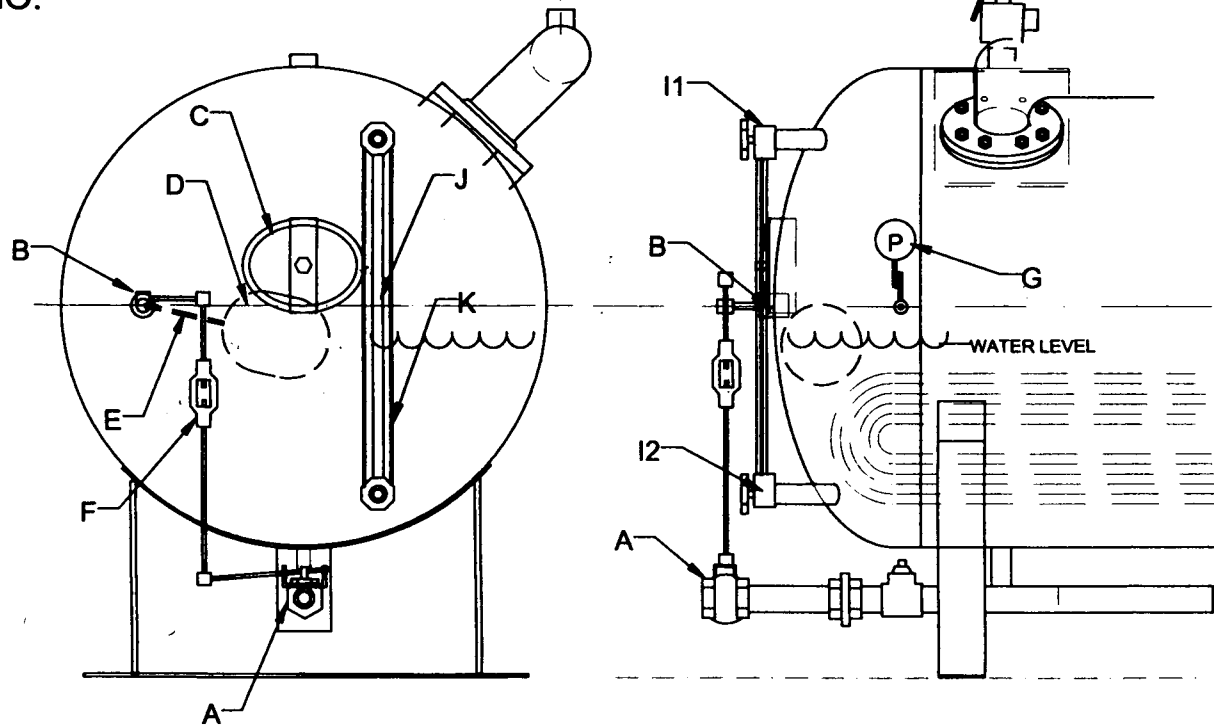


MODEL NO. **HC**
 SERIAL NO.



- A. HC007 __, DRAIN VALVE, KECKLEY NO. 62,
 SIZE: __" NPT
- B. HC011AS, STUFFING BOX REPAIR KIT
- C. HCO12, GASKET FOR 6" X 8" HAND HOLE
- D. HC013, 6" X 8" FLOAT BALL, SS
- E. HC064, THREADED ROD WITH COLLAR
 (CONNECTS FLOAT BALL TO SHAFT, P/N HCO61)
- F. TURNBUCKLE LINKAGE ASSY, (HC017 WITH
 (2) HC049 CLEVIS)
- G. HC004, PRESSURE GAUGE
- H. HC005, (3) TEMPERATURE GAUGE
- I. HV008, VALVE SET, GAUGE GLASS
- J. HC009, GLASS TUBE FOR GAUGE GLASS
- K. HC010, (2) ROD, FOR GAUGE GLASS

MADDEN MANUFACTURING, INC. ELKHART, IN	
BLOWDOWN HEAT RECOVERY SYSTEM TYPE HC REPAIR PARTS DRAWING	
DATE: REV NO. 0	ORDER NO.