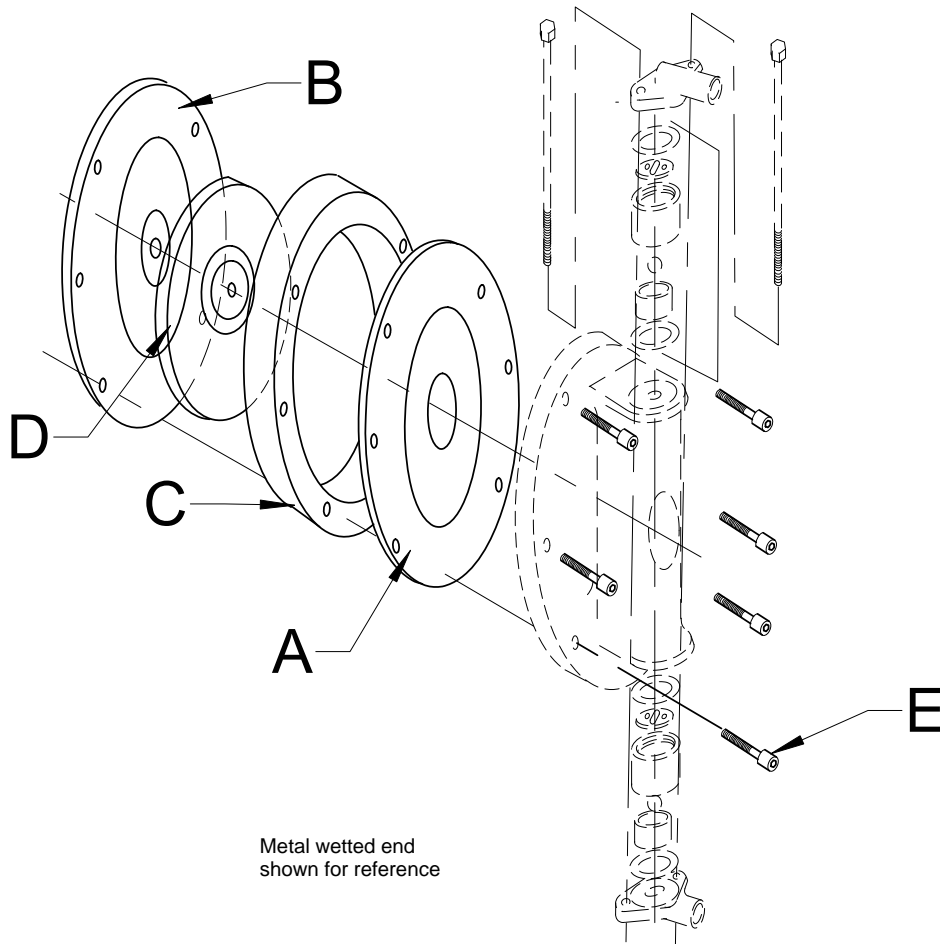


MADDEN Manufacturing, Inc.

Type DDB Double Diaphragm

Repair Parts List



Metal wetted end
shown for reference

Item	Qty Req	Part no.	Description
A	1	MP059A	Diaphragm, primary, Neoprene
A	1	MP059C	Diaphragm, primary, Hypalon
A	1	MP059D	Diaphragm, primary, Viton
A	1	MP059E	Diaphragm, primary, Teflon faced Neoprene
A	1	MP059F	Diaphragm, primary, Teflon faced Viton
B	1	MP134A	Diaphragm, secondary backup, Neoprene
B	1	MP134C	Diaphragm, secondary backup, Hypalon
B	1	MP134D	Diaphragm, secondary backup, Viton
	1	MP136	Piston for Type DDB double diaphragm, 9/16-12 thread (not shown)
C	1	MP140B	Spacer, with plugged drain hole, PVC
D	1	MP141	Secondary piston, Type DDB double diaphragm
E	6	MP133	Screw, plastic wetted end, HH cap screw 3/8"-16 X 3.75"
E	6	MP165	Screw, metal wetted end, SH screw 3/8"-16 X 1.75"