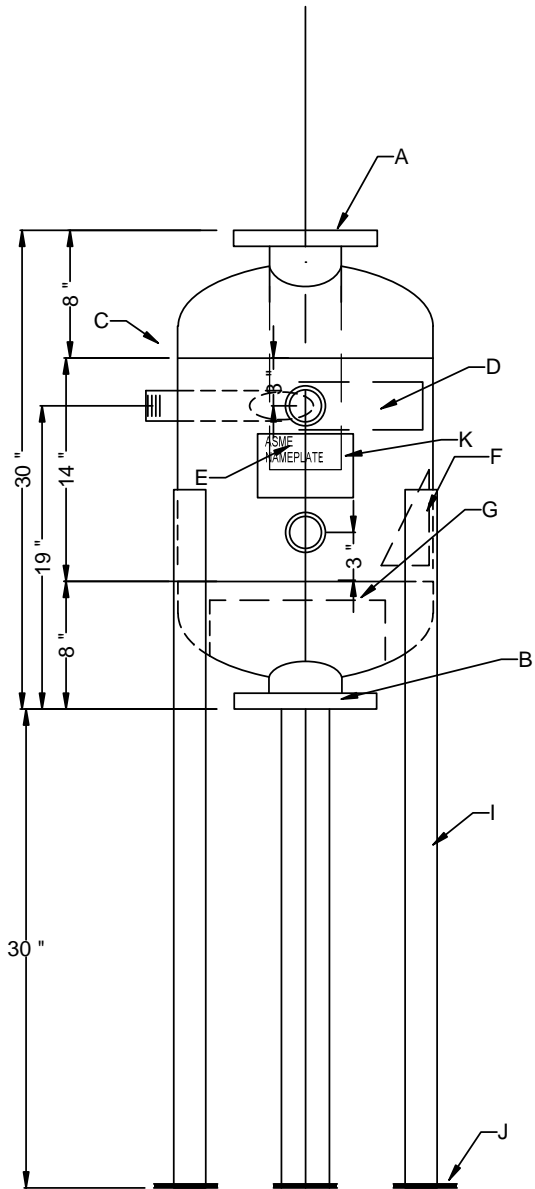


FOOTPAD DETAIL

ITEM	DESCRIPTION
A	VENT, 4" 150# RFSO FLANGE
B	DRAIN CONNECTION: 4" 150# RFSO FLANGE
C	INLET, CENTRIFUGAL, 1-1/2" SCH 80 PIPE, THREADED
D	IMPINGEMENT PLATE, 1/4" X 3" X 180 DEG, 304 SS
E	INSPECTION OPENING, H. CPLG, 1-1/2" NPT, (2) REQ'D
F	TRIANGULAR BAFFLE, 1/4" X 3" X 6", 304 SS
G	SPIRAL DRAIN BAFFLE, 304 SS
I	LEGS, 1/4" X 2" ANGLE, (3) REQ'D
J	FOOTPAD, 1/4" X 3" X 3", (3) REQ'D
K	ASME NAMEPLATE
L	MATERIAL CARBON STEEL, THICKNESS: 1/4", 1/16" CA,



DESIGN AND CONSTRUCTION TO ASME SECTION VIII. DIV 1, 150 PSI MAWP @ -20 DEG. F. TO +500 DEG F. WITH "U" STAMP AND NAT'L BOARD SERIAL NUMBER.

ALL FLANGES TO BE STRADDLE THE NATURAL CENTERS OF THE VESSEL.

MADDEN MANUFACTURING, INC. ELKHART, IN	
BLOWDOWN SEPARATOR P/N BD230D44	
DATE: 4/1/15 REV. 0	BD230D44