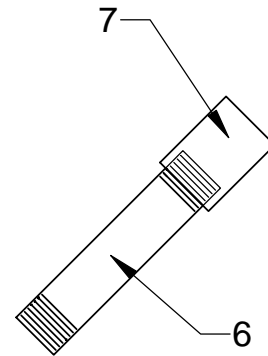
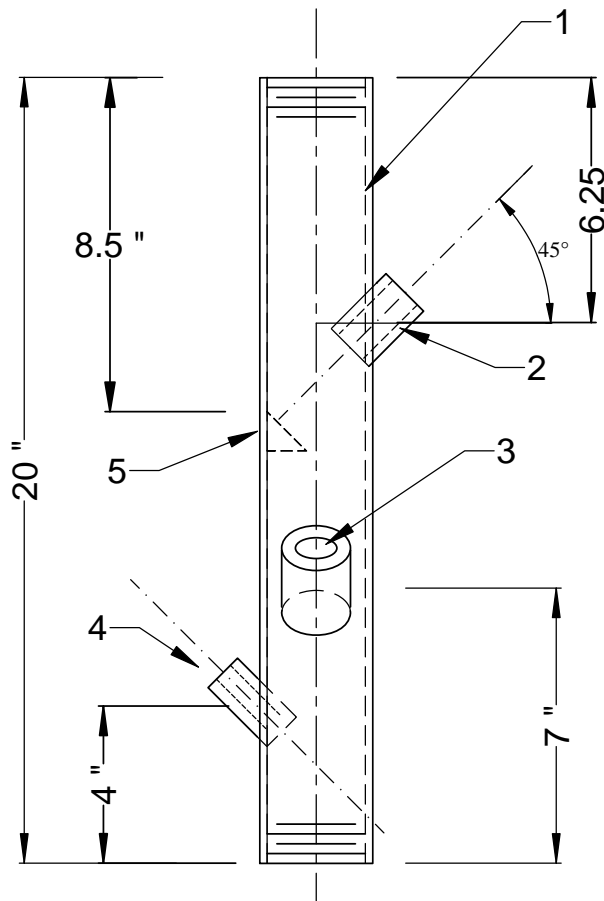


INSTALLATION: INSTALL TO 2-1/2" DRAIN CONNECTION ON BLOWDOWN SEPARATOR

CUSTOMER:



PIPING FOR TEMPERATURE BULB INSTALLATION, NIPPLE AND COUPLING ITEMS 6 & 7, INSTALL IN ITEM 3, 1" X 12.25" LONG COPPER TEMPERATURE BULB INSTALLS IN COUPLING ITEM 7

WELD PER PIPE WELDING PROCEDURE  
HYDROSTATIC PRESSURE TEST  
PAINT FINISH: GREY PRIMER WITH GREY ENAMEL TOP COAT

ITEM	DESCRIPTION
1	2-1/2" X 20" PIPE, SCH 40 A 53 SEAMLESS, TBE
2	3/4" 300# THRD. CPLG., COLD WATER INLET
3	1" 300# THRD CPLG. FOR TEMPERATURE REG. VALVE BULB.
4	1/2" 300# THRD CPLG FOR TEMP. GAGE
5	WATER DEFLECTOR, 12 GA, 304 SS
6	1" X 9" THREADED NIPPLE, SCH 40 PIPE
7	1" F CPLG, THREADED, 300#

<b>MADDEN MANUFACTURING, INC.</b> ELKHART, IN	
AFTERCOOLER, MODEL NO. AC200 2-1/2" NPT THREADED MATERIAL: 2-1/2" X 20" SCH 40 A-53 GR B TBE, SEAMLESS PIPE	
DATE: 2-14-08 REV. NO. 0	<b>AC200</b>