

# MADDEN

MANUFACTURING, INC.

*Simple, Rugged Quality*

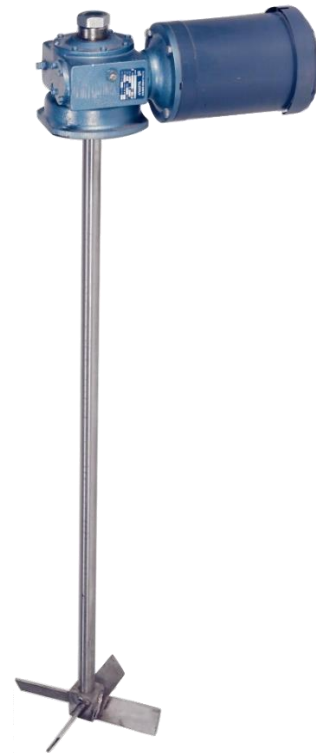
## Heavy Duty, Industrial Mixers & Agitators



AA102A  
High Speed Mixer



AA104  
Medium Speed Mixer



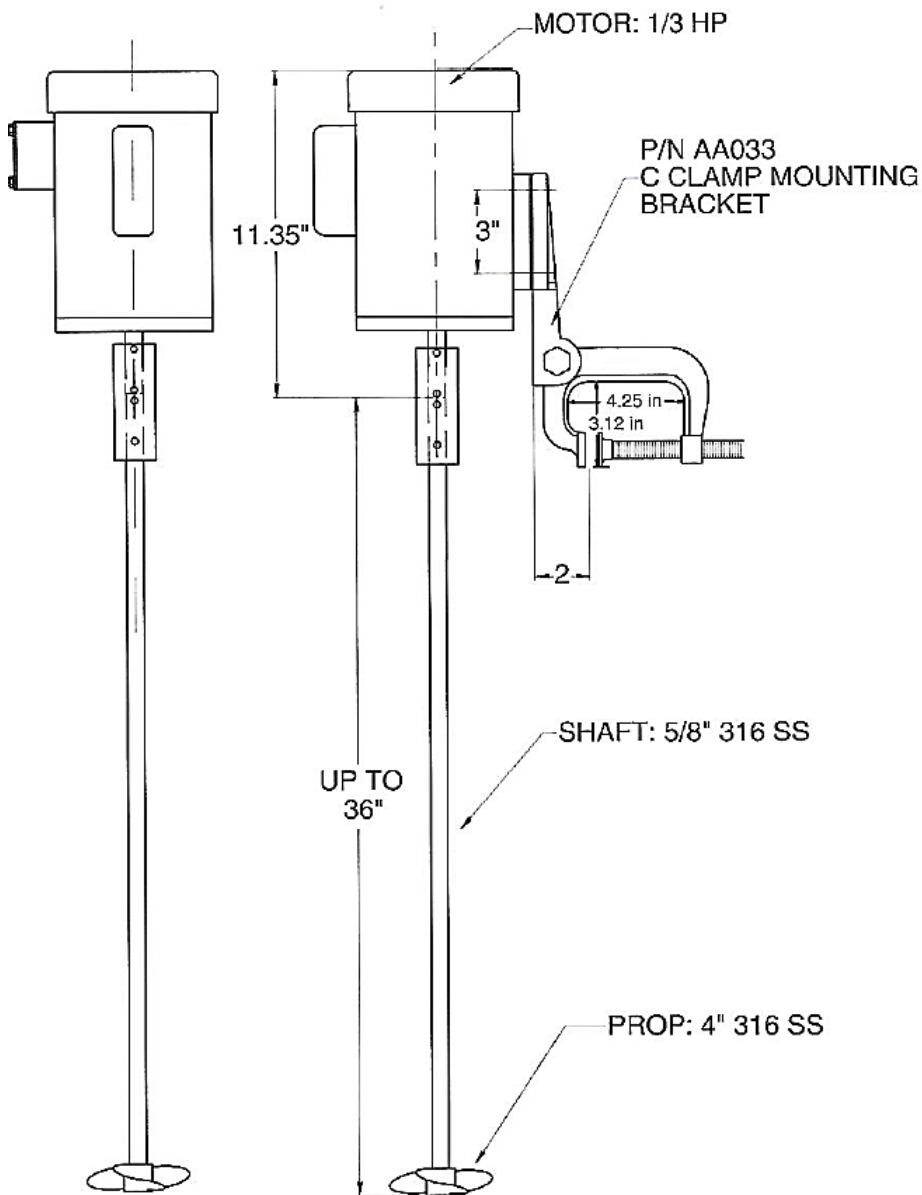
AA110  
Low Speed Mixer

### Madden's Industrial Mixers

Madden Manufacturing, Inc. offers three different lines of heavy duty, industrial mixers at an extremely competitive price. These mixers, also known as agitators, serve a vast array of industrial applications across the world; the mixing process and applications include, but are not limited to:

- Liquid Blending
- Solids Suspension
- Gas Dispersion
- Dissolving Solids
- Chemicals
- Mining processes
- Petroleum processes
- Slurries
- And more!

# Mixer Model No. AA102A



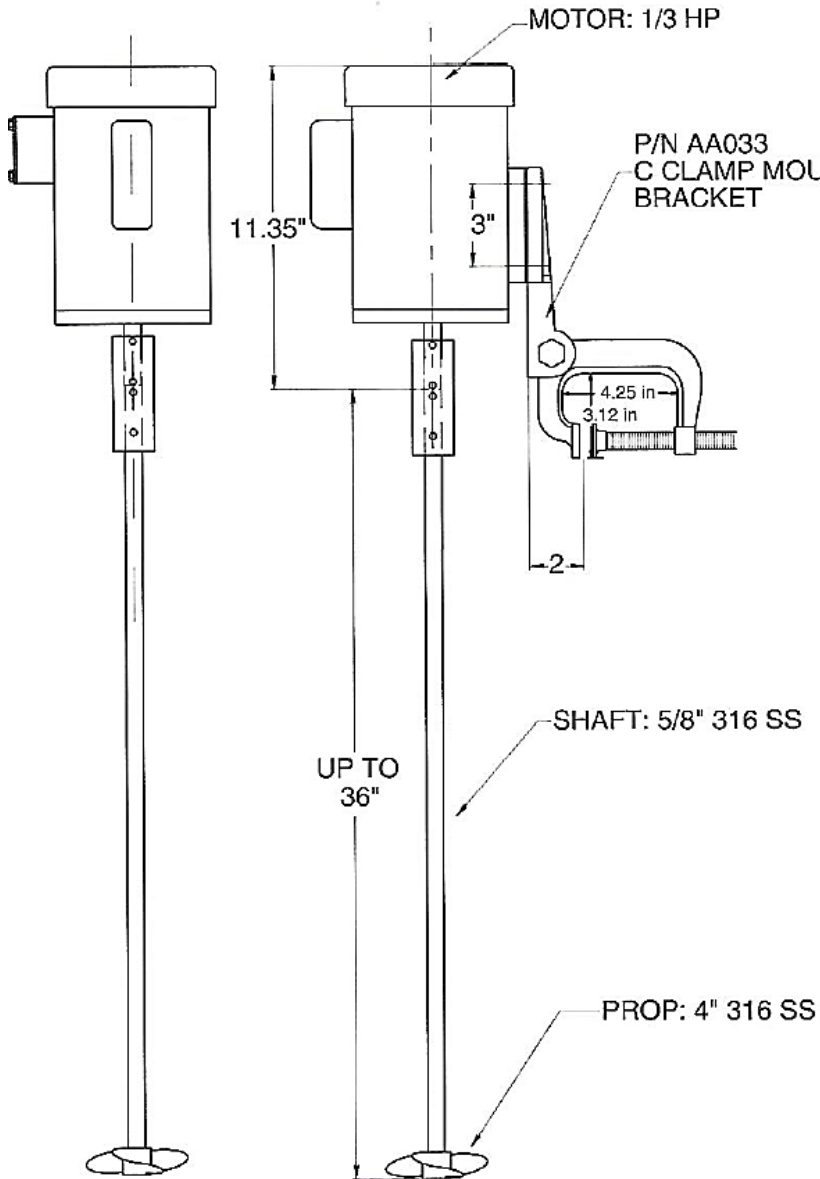
## SPECIFICATIONS

- Speed: 1,725 rpm
- Propeller(s): 1 standard, multiple propellers optional. 4" diameter, 3 blade marine type, Material: 316 stainless steel
- Shaft: 5/8" 316 stainless steel, up to 36" long
- Motor: 1/3 HP, 1,725 rpm, TEFC, 1/60/115-230 or 3/60/230-460
- Mounting Options:
  1. (Standard) Mixer motor 56 frame foot pad can be used for rigid mounting.
  2. (Additional option) Mixer motor mounted to a C clamp for portable and adjustable mounting. Part number: AA033 (Page 8)

# Mixer Model No. AA102AF

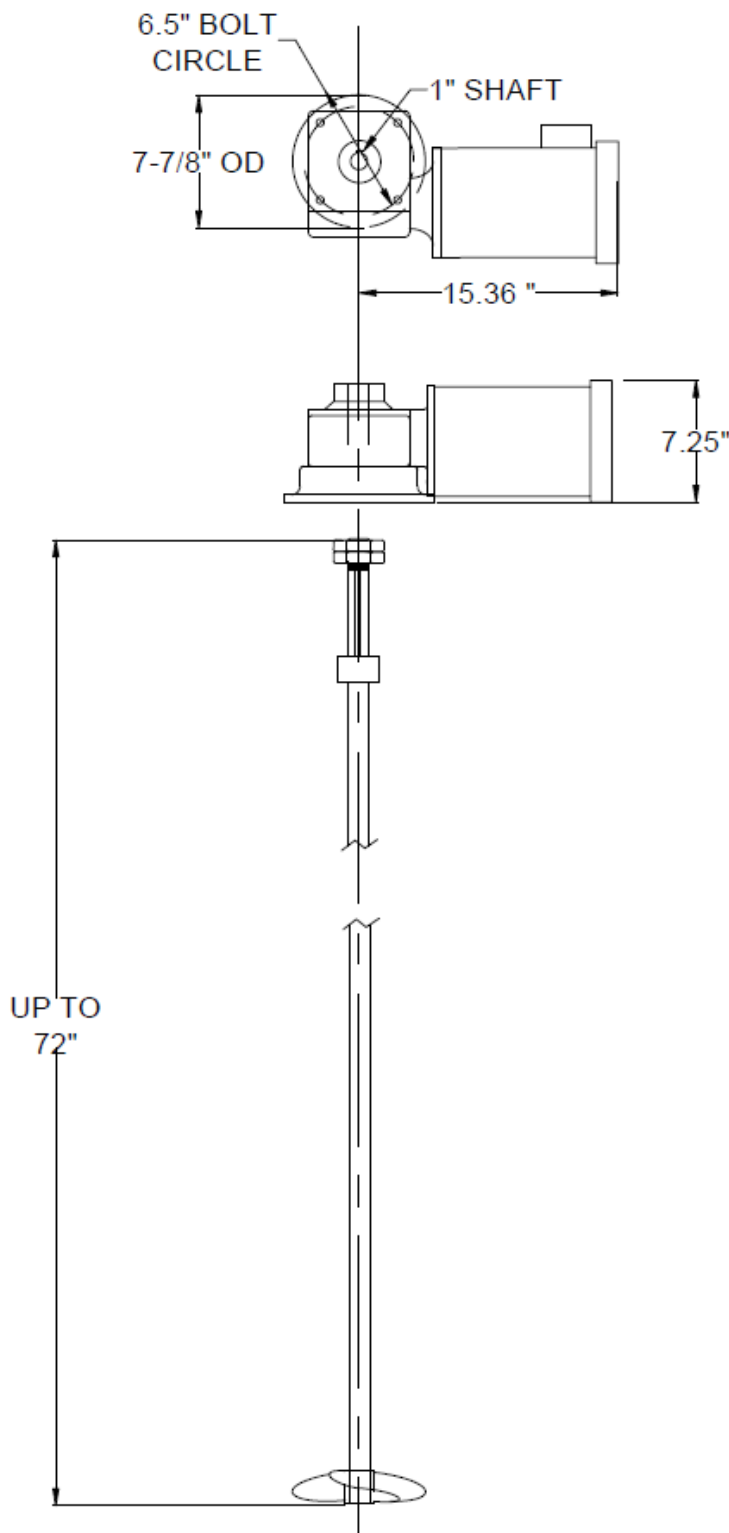
## Variable Speed

### SPECIFICATIONS



- **Variable Speed:**  
200-2,000 rpm
- **Propeller(s):** 1 standard, multiple propellers optional. 4" diameter, 3 blade marine type, Material: 316 stainless steel
- **Shaft:** 5/8" 316 stainless steel, up to 36" long
- **Motor:** 1/3 HP, 200-2,000 rpm, 3 PH, variable speed/inverter duty, TEFC
- **Variable Frequency Drive Controller:**  
NEMA 4 enclosure, 1 PH or 3PH power options, 4-20 mA signal follower for remote speed control. The controller will be installed remote from the mixer motor. (Installation wiring not included)
- **Mounting Options:**
  1. (Standard) Mixer motor 56 frame foot pad can be used for rigid mounting.
  2. (Additional option) Mixer motor mounted to a C clamp for portable and adjustable mounting. Part number: AA033 (Page 8)

# Mixer Model No. AA104



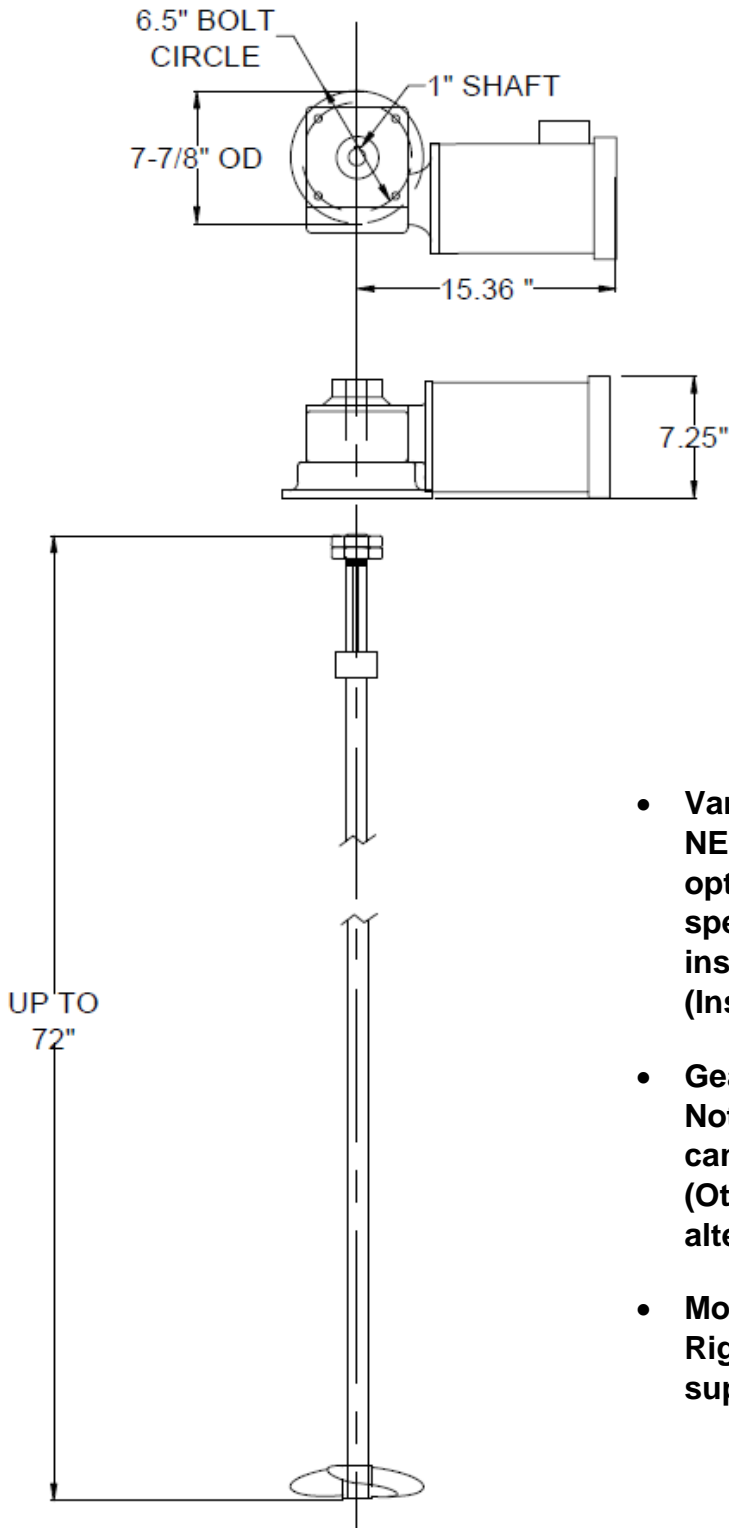
## SPECIFICATIONS

- Speed: 345 rpm
- Propeller(s): 1 standard, multiple propellers optional.  
8" diameter,  
3 blade marine type,  
Material: 316 stainless steel
- Shaft: 1" 316 stainless steel, up to 72" long
- Motor: 1,725 rpm, TEFC,  
1/60/115-230 or 3/60/230-460
- Motor Sizes Available:  
Model no. AA104A: 1/3 HP  
Model no. AA104C: 1/2 HP  
Model no. AA104D: 3/4 HP  
Model no. AA104E: 1 HP
- Gear reducer: worm gear type,  
5:1 gear ratio  
Note: if an application requires it,  
gear reducer can accommodate up  
to a 5 HP motor. (Other gear ratios  
available upon request for  
alternative mixing speeds.)
- Mounting: (Additional option)  
Rigid mount to fixed bridge type  
structure to support mixer above a  
tank.  
Part numbers:  
AA031 or AA032 (page 8)

# Mixer Model No. AA104

## Variable Speed

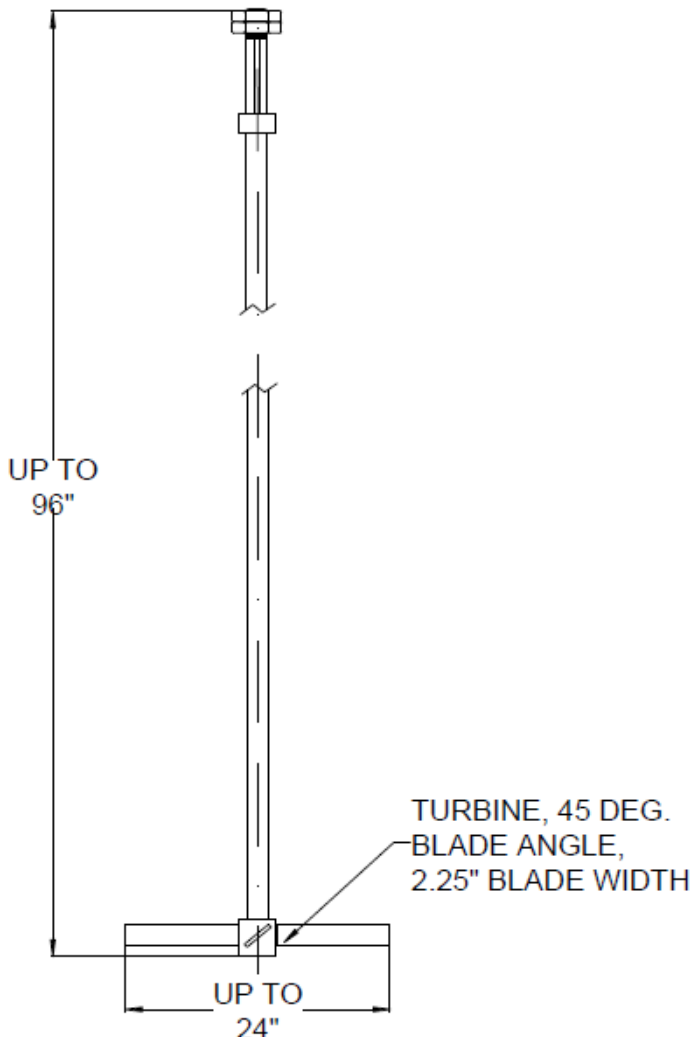
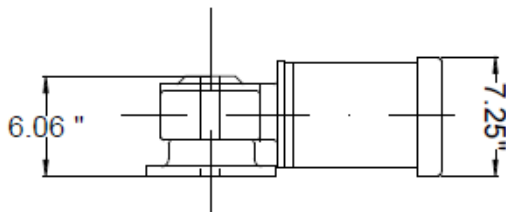
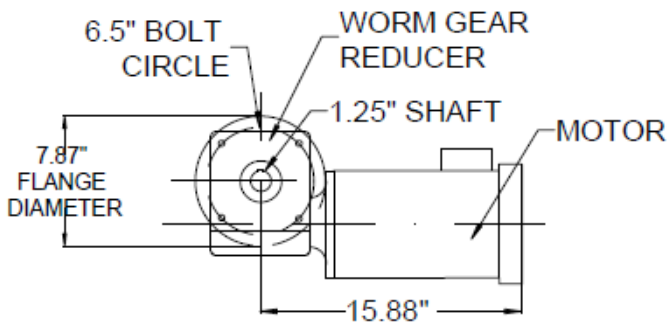
### SPECIFICATIONS



- Speed: 40-400 rpm
- Propeller(s): 1 standard, multiple propellers optional.  
8" diameter,  
3 blade marine type,  
Material: 316 stainless steel
- Shaft: 1" 316 stainless steel, up to 72" long
- Motor: 200-2,000 rpm, 3 PH, variable speed/inverter duty, TEFC
- Motor Sizes Available:  
Model no. AA104AF: 1/3 HP  
Model no. AA104CF: 1/2 HP  
Model no. AA104DF: 3/4 HP  
Model no. AA104EF: 1 HP

- Variable Frequency Drive Controller: NEMA 4 enclosure, 1 PH or 3PH power options, 4-20 mA signal follower for remote speed control. The controller will be installed remote from the mixer motor. (Installation wiring not included)
- Gear reducer: worm gear type, 5:1 gear ratio  
Note: if application requires it, gear reducer can accommodate up to a 5 HP motor. (Other gear ratios available upon request for alternative mixing speeds.)
- Mounting: (Additional option)  
Rigid mount to fixed bridge type structure to support mixer above a tank.  
Part numbers:  
AA031 or AA032 (page 8)

# Mixer Model No. AA110



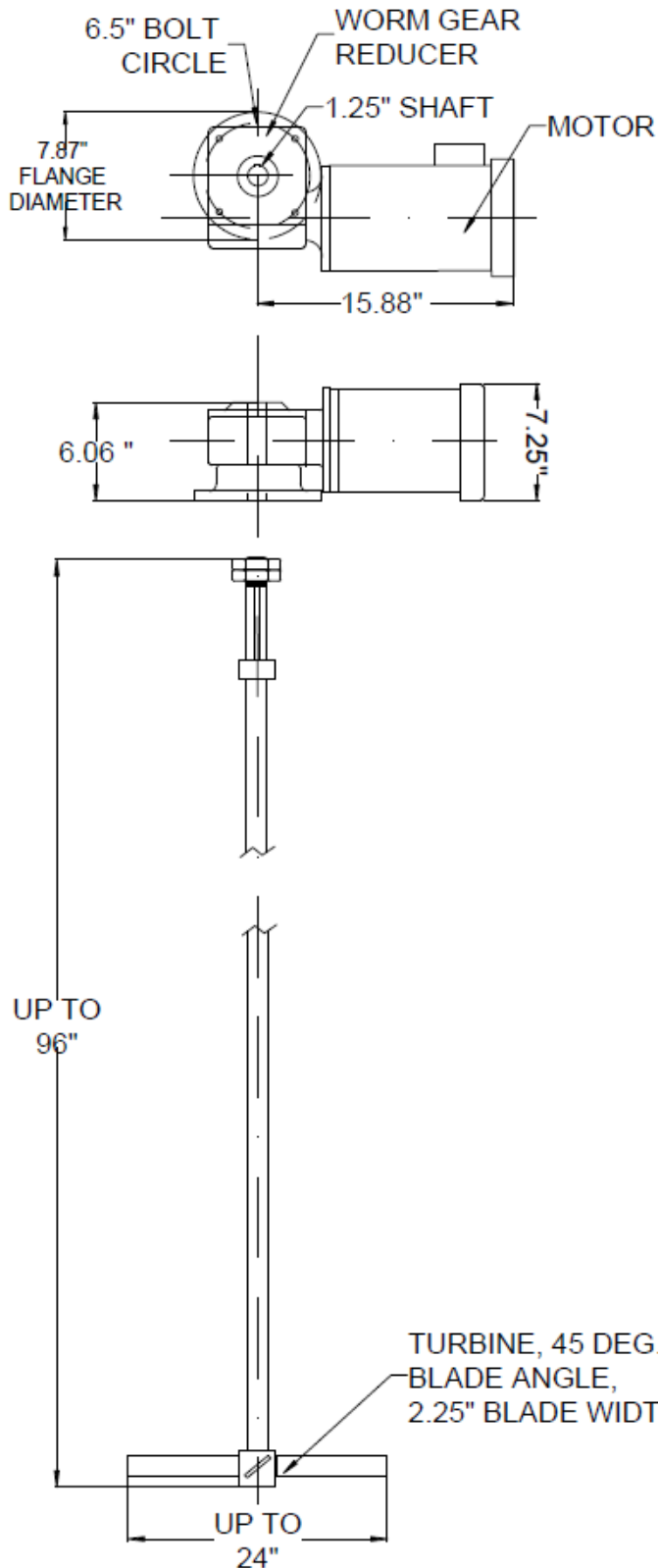
## SPECIFICATIONS

- Speed: 57 rpm
- Propeller(s): 1 standard, multiple turbines optional.  
4 blade turbine type,  
Material: 316 stainless steel
- Turbine size:  
16" up to 24" diameter
- Shaft: 1.25" 316 stainless steel, up to 96" long
- Motor: 1,725 rpm, TEFC,  
1/60/115-230 or 3/60/230-460
- Motor Sizes Available:  
Model no. AA110C: 1/2 HP  
Model no. AA110D: 3/4 HP  
Model no. AA110E: 1 HP
- Gear reducer: worm gear type,  
30:1 gear ratio (note: other gear ratios available upon request for alternative mixing speeds)
- Mounting: (Additional option)  
Rigid mount to fixed bridge type structure to support mixer above a tank.

Part numbers:  
AA031 or AA032 (page 8)

# Mixer Model No. AA110

## Variable Speed

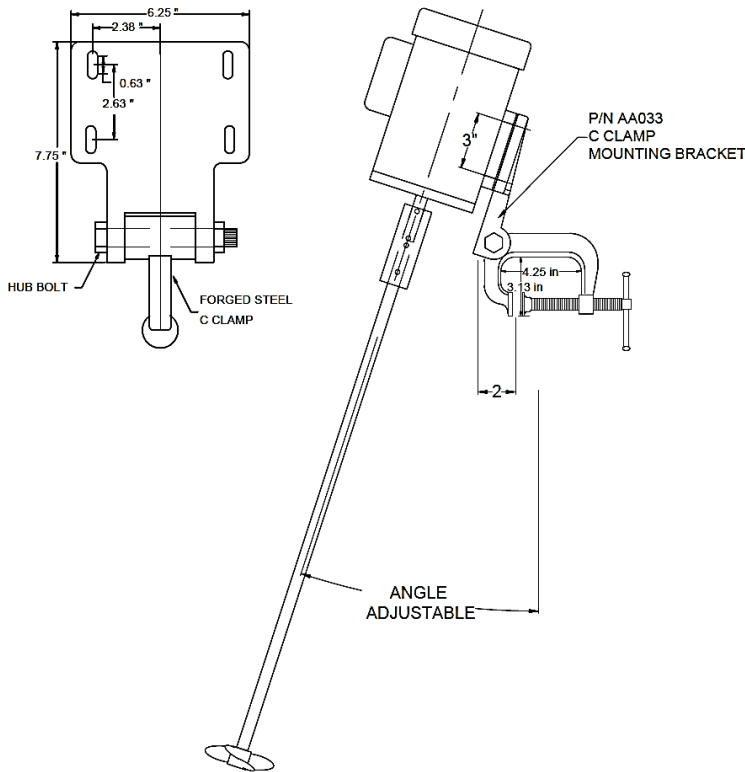


## SPECIFICATIONS

- Speed: 6-66 rpm
- Propeller(s): 1 standard, multiple turbines optional.  
4 blade turbine type,  
Material: 316 stainless steel
- Turbine size:  
16" up to 24" diameter
- Shaft: 1.25" 316 stainless steel, up to 96" long
- Motor: 200-2,000 rpm, 3 PH, variable speed/inverter duty, TEFC
- Motor Sizes Available:  
Model no. AA110CF: 1/2 HP  
Model no. AA110DF: 3/4 HP  
Model no. AA110EF: 1 HP
- Variable Frequency Drive Controller:  
NEMA 4 enclosure, 1 PH or 3PH power options, 4-20 mA signal follower for remote speed control. The controller will be installed remote from the mixer motor. (Installation wiring not included)
- Gear reducer: worm gear type, 30:1 gear ratio (note: other gear ratios available upon request for alternative mixing speeds)
- Mounting: (Additional option)  
Rigid mount to fixed bridge type structure to support mixer above a tank.

Part numbers:  
AA031 or AA032 (page 8)

# Mixer Mounting Brackets

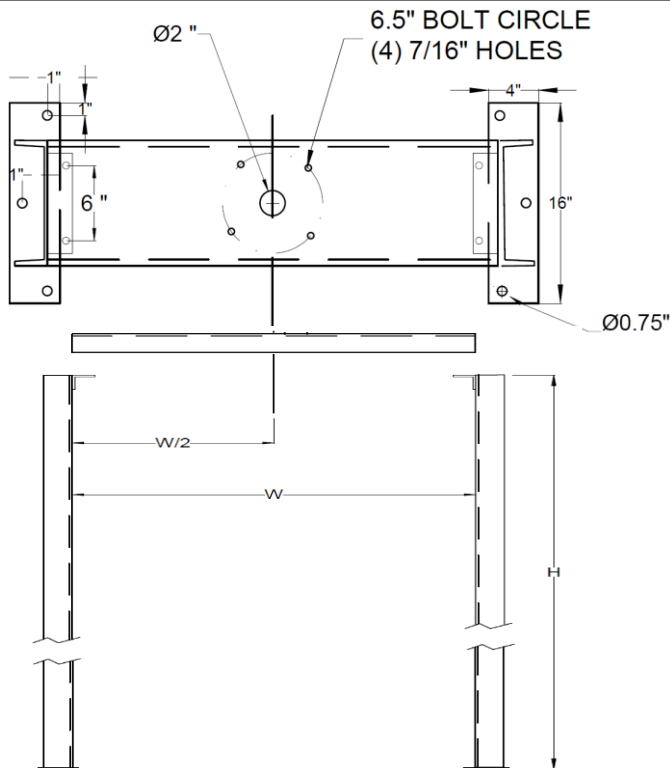


## SPECIFICATIONS

**Model No. AA033**

**C Clamp type mounting bracket for high speed mixer model AA102A**

- Forged steel C clamp
- Cast iron motor mounting
- Angle adjustable
- Installs to rigid vertical support structure exterior to tank, or to reinforced pad on tank wall.
- Not recommended for mounting directly on plastic tanks.



## SPECIFICATIONS

**Bridge type mixer mounting structure for geared mixers, models AA104 and AA110**

- Part no. AA031 for tanks up to 48" wide and 60" tall. (6" C Channel)
- Part no. AA032 for tanks up to 72" wide and 96" tall. (10" C Channel)

**MADDEN Manufacturing, Inc.**

P.O. Box 387 • Elkhart, IN 46515 • USA  
 Phone: (574) 295-4292 • Fax: (574) 295-7562  
 Toll Free: 1-800-369-6233  
 E-mail: [info@maddenmfg.com](mailto:info@maddenmfg.com)  
 Website: [www.maddenmfg.com](http://www.maddenmfg.com)

**SOLD BY:**