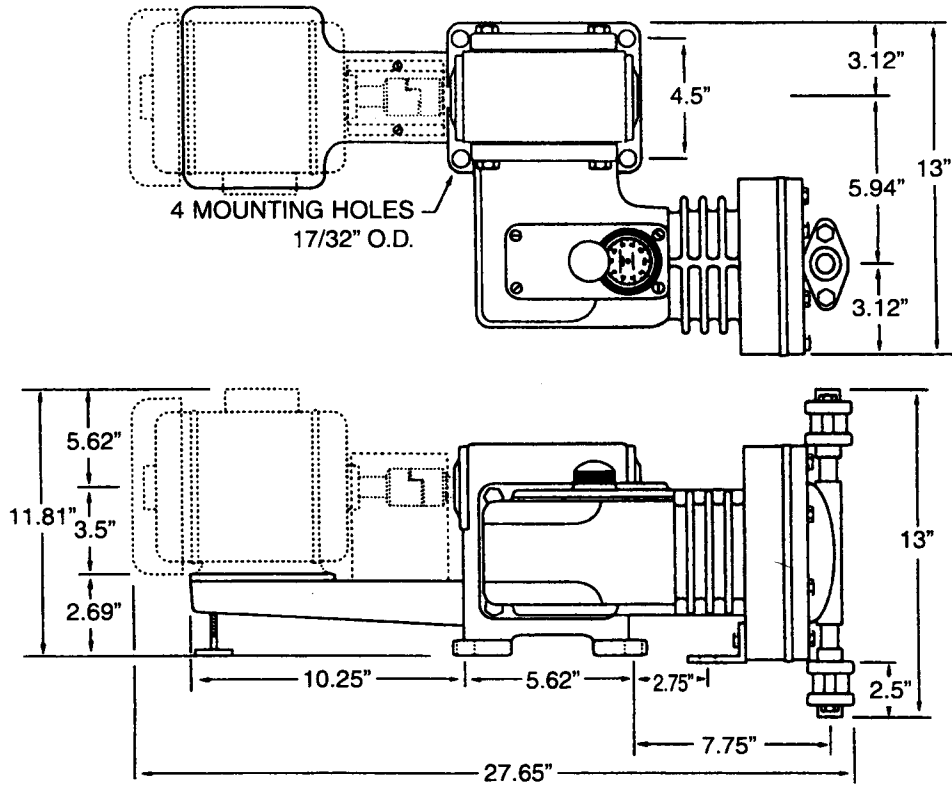
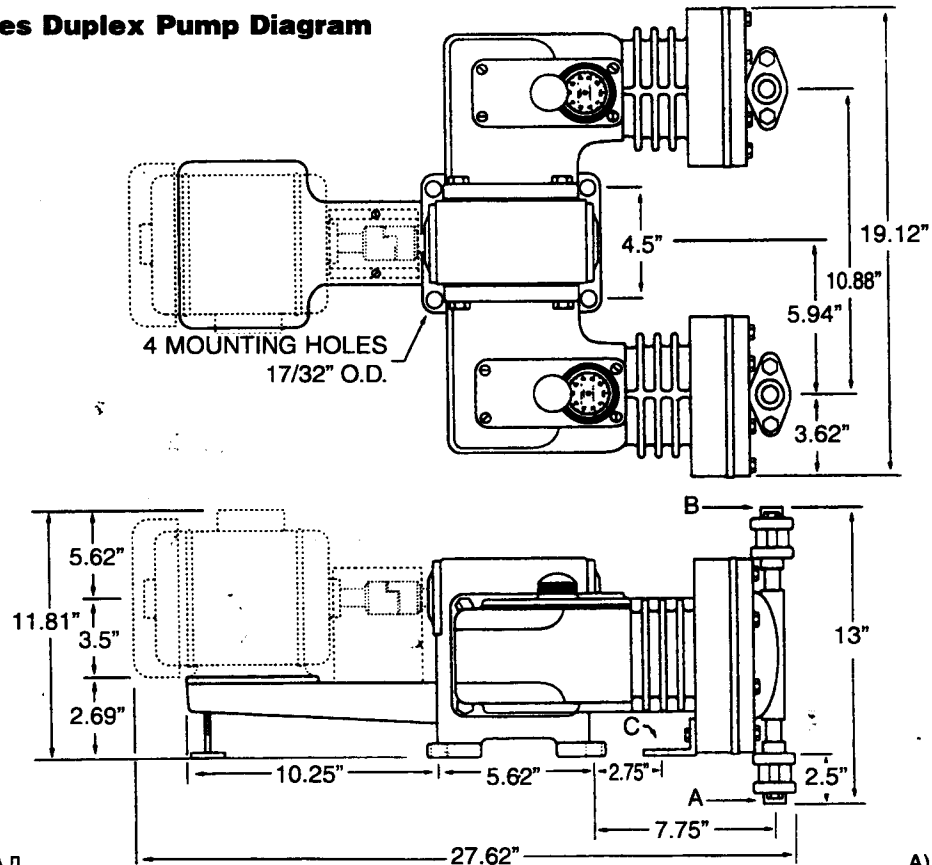


MH Series Simplex Pump Diagram



MH Series Duplex Pump Diagram



MADDEN Manufacturing, Inc.

Nov. '95
 A) Inlet Connection: 3/4" NPT
 B) Outlet Connection: 3/4" NPT
 C) 2 Mounting Holes, 17/32": 2 Places