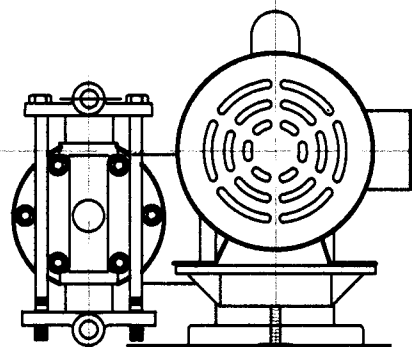
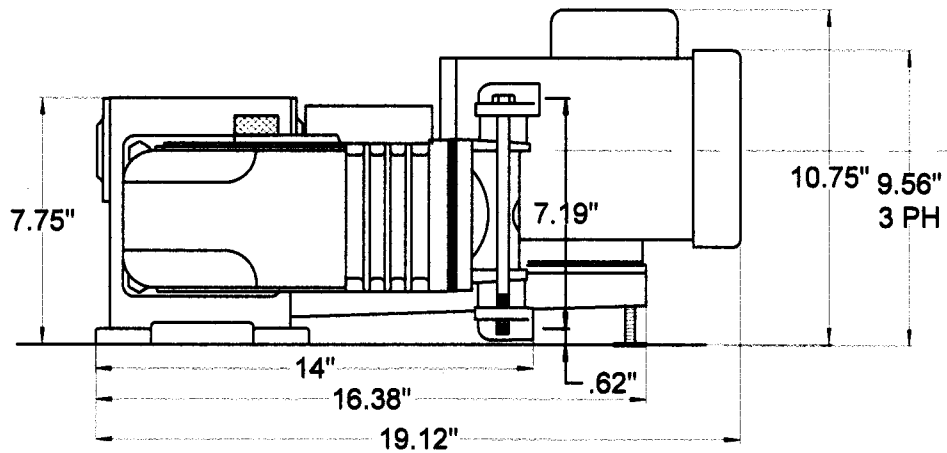


CONSTRUCTION:
 MODEL NO. MF1XX
 SOLUTION HEAD AND VALVE CAPS:
 PIPING CONNECTIONS:
 DIAPHRAGM:
 VALVE BALLS:
 TYPE DDB DOUBLE DIAPHRAGM:
 MOTOR:



CUSTOMER:

MADDEN MANUFACTURING, INC. ELKHART, IN	
DIAPHRAGM METERING PUMP, MF SERIES MODEL NO. MF CAPACITY: GPH 300 PSI	
DATE: 6/12/97 REV. NO. 0	XXXX